

E-DRIVE 2003

M12

B2

B3

B4

M18

C2

C3

C4

M20

D2

D3

D4

M26

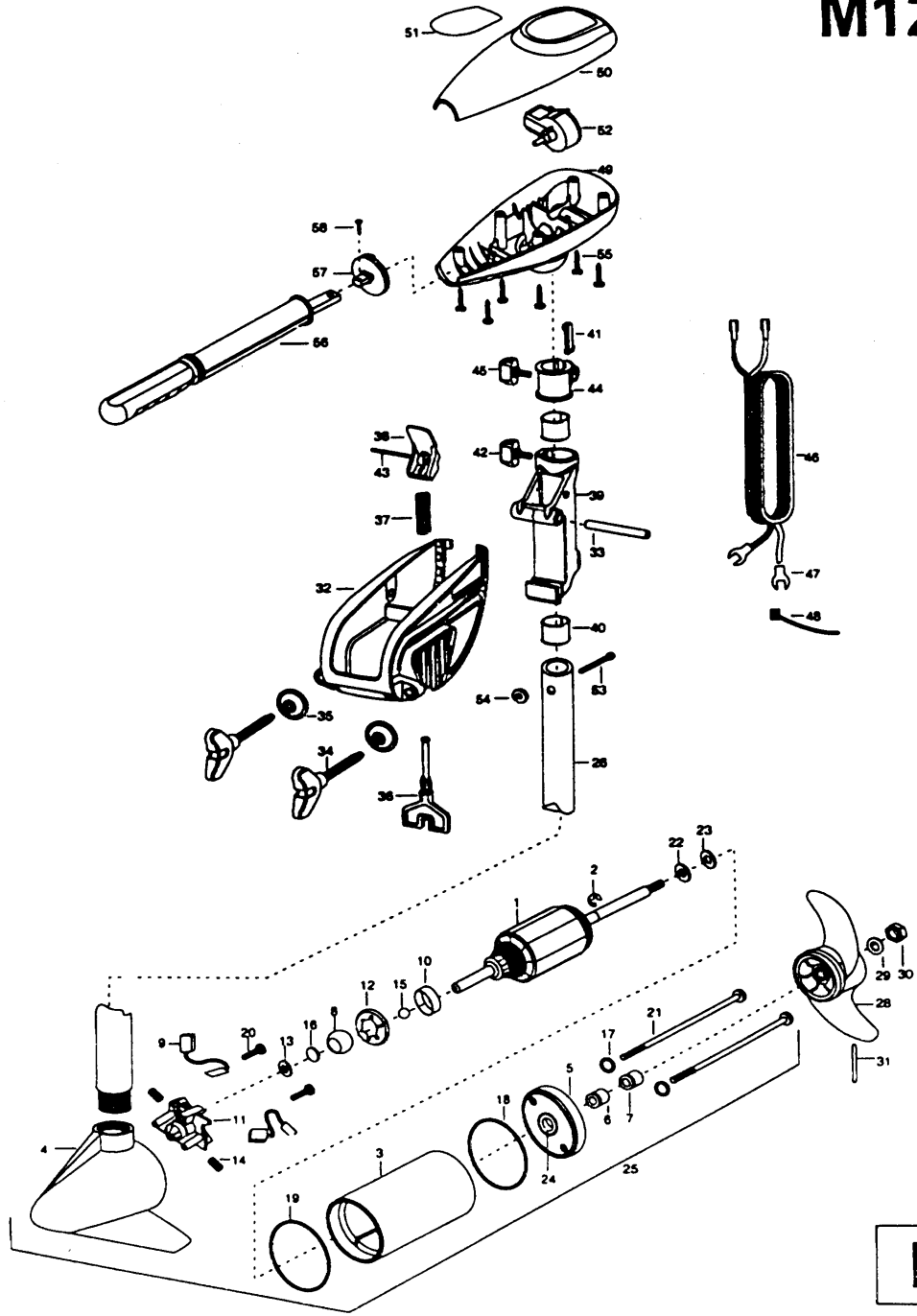
E2

E3

E4

A1

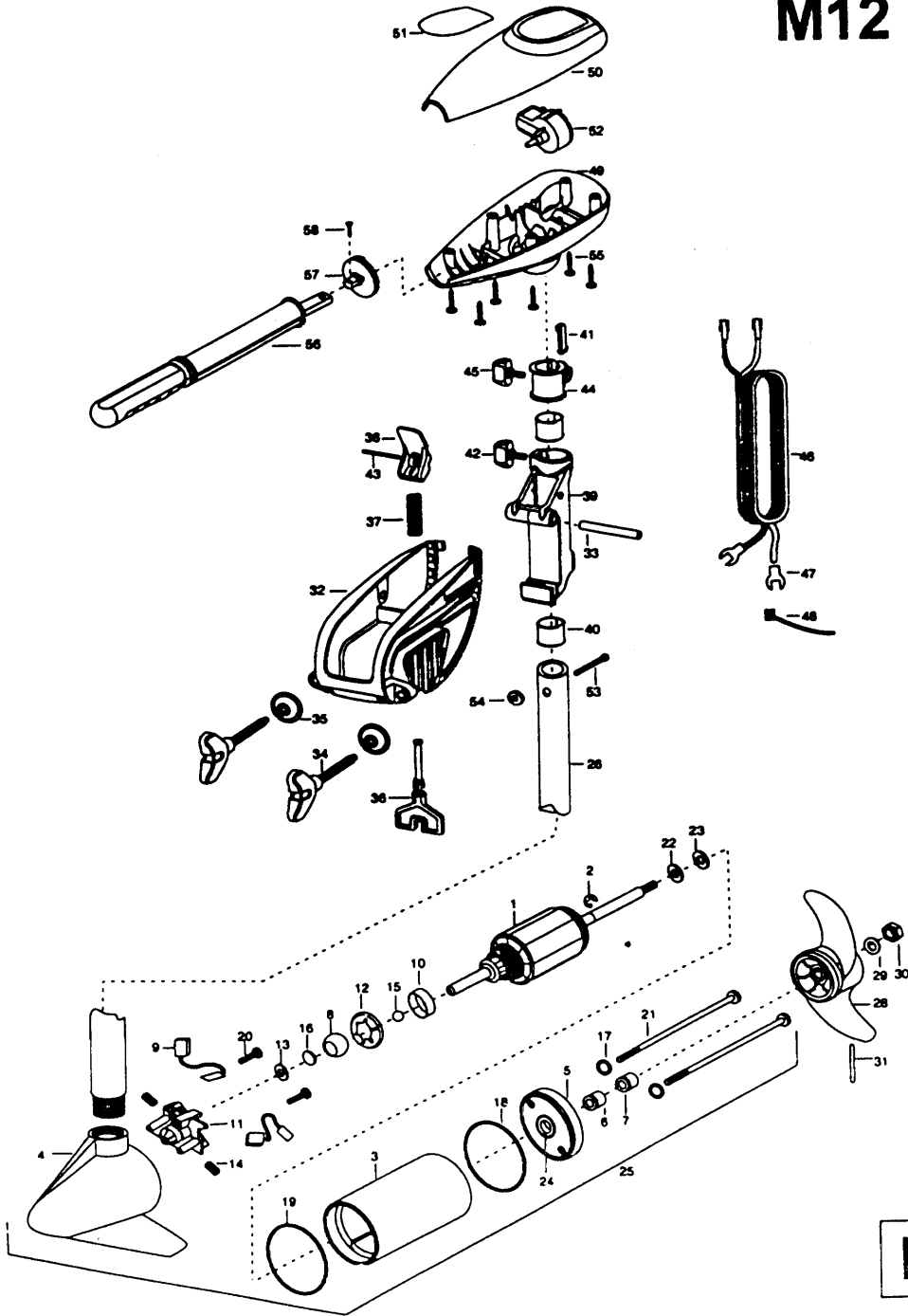
M12



REF. NO.	PART NO.	DESCRIPTION	QTY	REMARKS
1	MKY002100077	ARMATURE ASSEMBLY 12v 3.25 FW	1	
2	MKY000788015	RETAINING RING	1	
3	MKY000431177	HOUSING ASSEMBLY CENTER 3.25	1	
4	MKY002300142	BRUSH END HOUSING ASSEMBLY 3.2	1	
5	MKY002400127	PLAIN END HOUSING ASSEMBLY 3.2	1	
6	MKY002883460	SEAL O-RING KIT	1	
7	MKY002883460	SEAL O-RING KIT	1	
8	MKY000144050	BEARING SPHERICAL	1	
9	MKY000188052	BRUSH ASSEMBLY [2.EA]	1	
10	MKY000725033	PAPER TUBE BRUSH RETENTION	1	
11	MKY000738030	BRUSH PLATE W/HOLDER 3.25	1	
12	MKY000784036	BEARING RETAINER	1	
13	MKY000991025	WASHER FELT	1	
14	MKY000975032	SPRING COMPRESSION [2.EA]	1	
15	MKY000116020	BALL STEEL	1	
16	MKY000303039	THRUST DISK	1	
17	MKY002883460	SEAL O-RING KIT	1	
18	MKY002883460	SEAL O-RING KIT	1	
19	MKY002883460	SEAL O-RING KIT	1	
20	MKY000830001	CREW SELF THREAD 832X1.7 [2.EA]	1	
21	MKY000830076	HRU BOLT 832X8.0 [2.EA]	1	
22	MKY000990067	WASHER STEEL THRUST	1	
23	MKY000990070	WASHER NYLATRON [2.EA]	1	
24	MKY000144049	LARGE BEARING (SERVICE ONLY)	1	
25	MKY002069060	MOTOR ASSEMBLY 12V 3.25 5SPC T	1	
26	MKY002032045	TUBE, COMPOSITE 30"	1	
28	MKY001378121	PROP W/DRIVE PIN, WASHER, NUT	1	INCL. 28, 29, 30
28	MKY002061121	PROPELLER 3.25 HUB DIA	1	
29	MKY002151726	WASHER 5/16 STD SS	1	
30	MKY002053101	NUTPROP NYLOCK (MED) SS	1	

B2

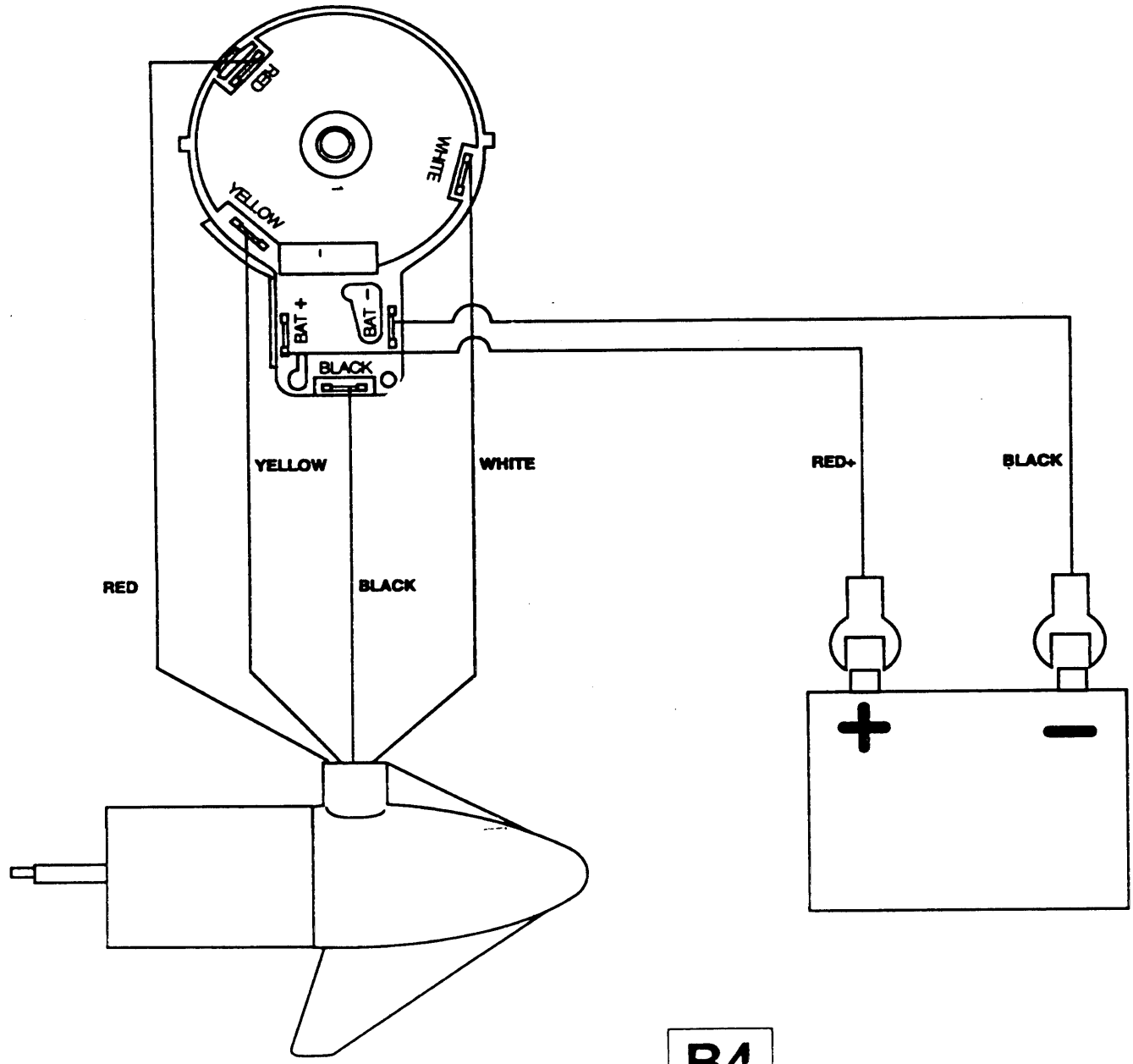
M12



REF. NO.	PART NO.	DESCRIPTION	QTY	REMARKS
31	MKY002092600	PINDRIVE	1	
32	MKY002771818	BRACKET & HINGE ASSEMBLY	1	INCLUDES 32-43
32	MKY002771910	BRACKET ASSEMBLY	1	INCLUDES 32,34,35
33	MKY002060510	PINHINGE	1	
36	MKY002063605	TBAR, PLASTIC	1	
37	MKY002062706	SPRING (TBAR)	1	
38	MKY002067201	LEVERTILT BLACK	1	
39	MKY002061810	HINGEPLASTIC	1	
40	MKY002037301	BUSHINGHINGE [2.EA]	2	
41	MKY002062800	TENSION BLOCKSNAP IN	1	
42	MKY002011385	SCREW, TENSION/KNOB	1	
43	MKY002060515	PIN, TILT LEVER	1	
44	MKY002061520	COLLARDEPTH	1	
45	MKY002011365	SCREWCOLLAR/NEW KNOB	1	
46	MKY002020605	LEADWIRE (14 GA) W/SPADE TERM	1	
47	MKY002020703	SPADE TERMINAL 14GA HD [2.EA]	1	
48	MKY002026300	TIE WRAP	1	
49	MKY002062510	CONTROL BOX	1	
50	MKY002060214	CONTROL BOX COVER	1	
52	MKY002064023	SWITCHFWD/REV 5 SP	1	
53	MKY002033401	SCREW1024 X 13/4	1	
54	MKY002013110	NUT1024 HEX	1	
55	MKY002012100	SCREW818 X 5/8 [6.EA]	6	
56	MKY002990901	HANDLE ASSEMBLY 5 SPEED	1	
57	MKY002060405	PIVOT, HANDLE	1	
58	MKY002012102	SCREW	1	

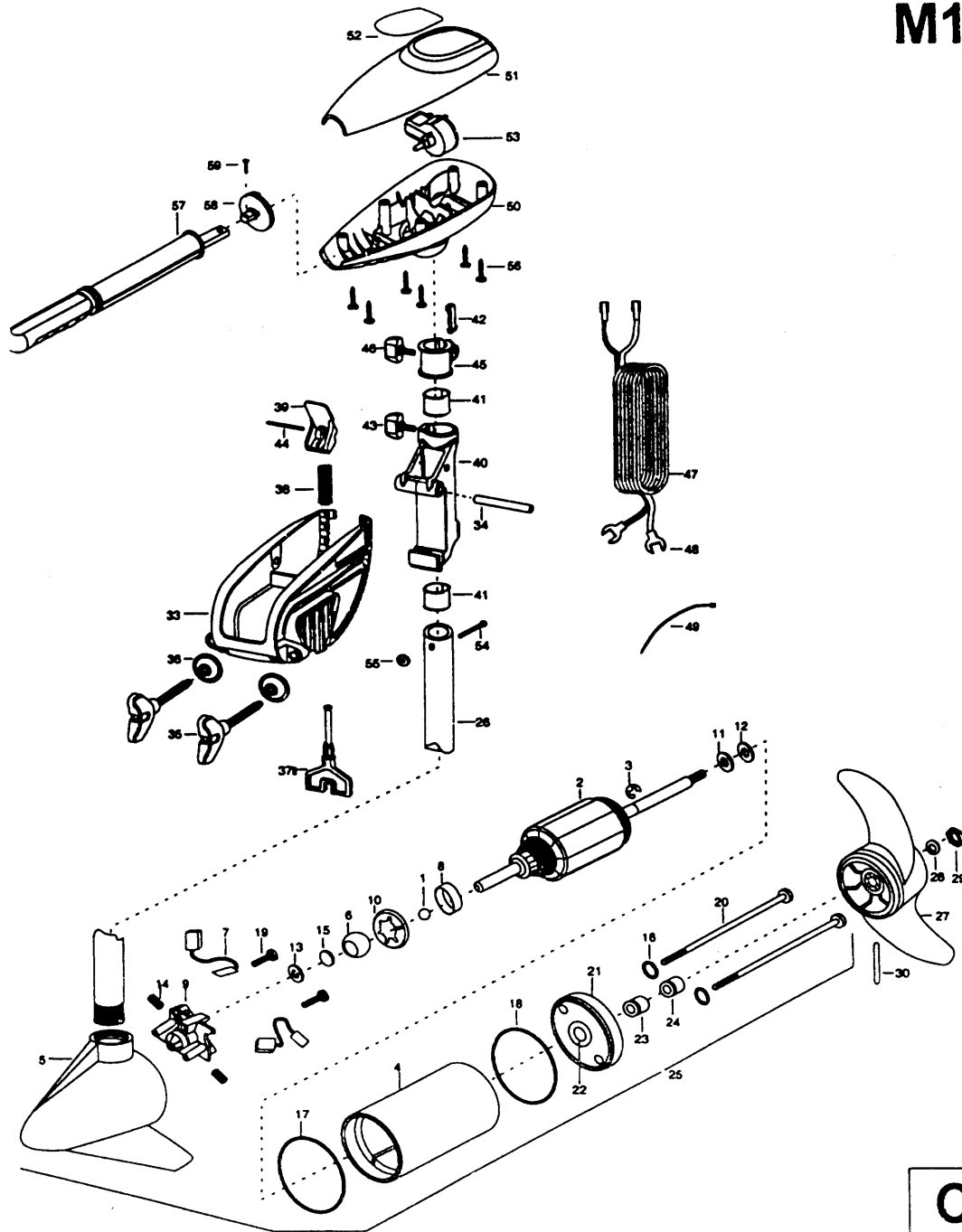
B3

M12



B4

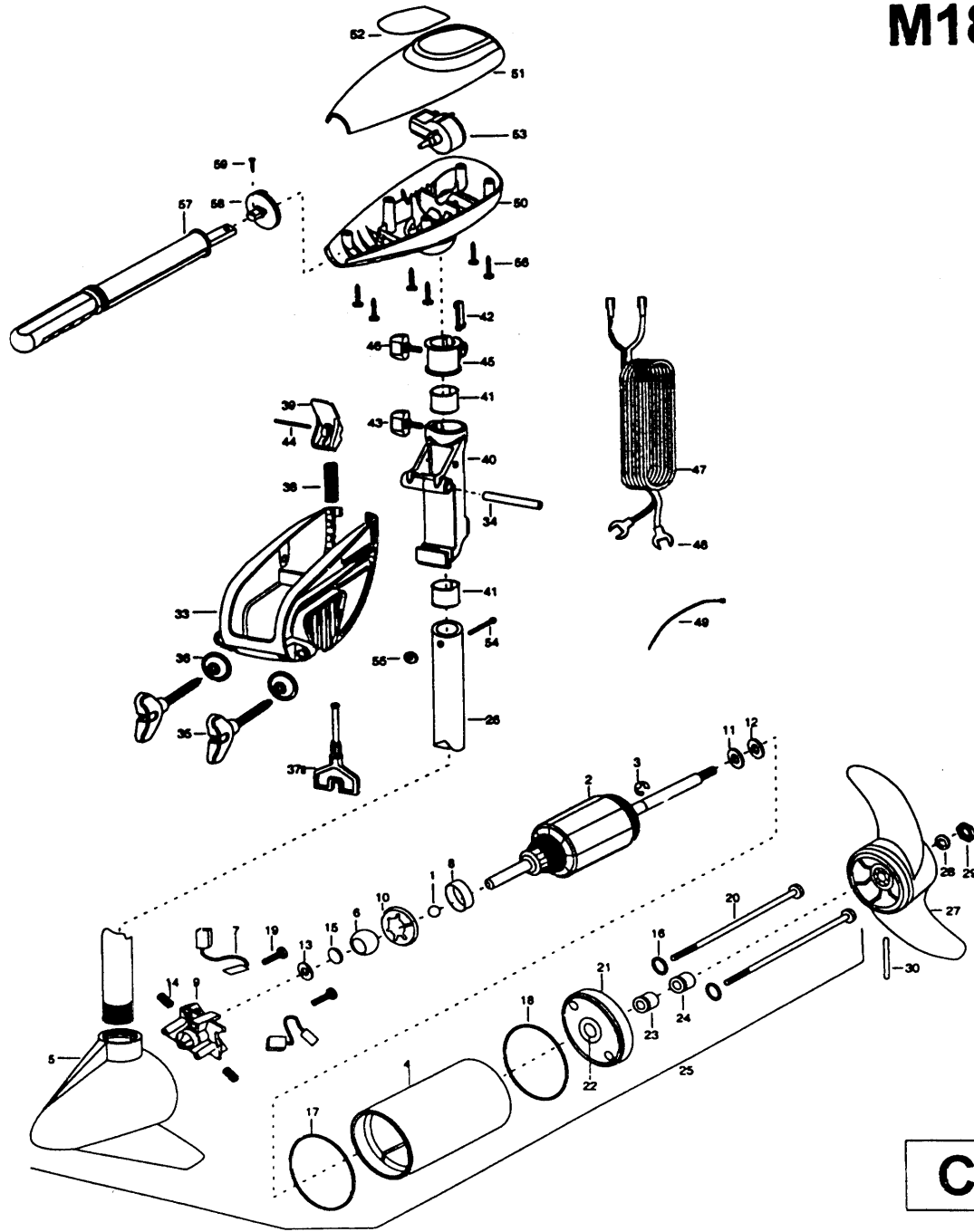
M18



REF. NO.	PART NO.	DESCRIPTION	QTY	REMARKS
1	MKY000116020	BALL STEEL	1	
2	MKY002100178	ARM ASSEMBLY 12V 3.25	1	
3	MKY000788015	RETAINING RING	1	
4	MKY000431079	HOUSING ASSEMBLY CENTER 3.25	1	
5	MKY002300132	BRUSH END HOUSING ASSEMBLY	1	
6	MKY000144050	BEARING SPHERICAL	1	
7	MKY000188052	BRUSH ASSEMBLY [2 EA]	1	
8	MKY000725033	BRUSH RETENTION	1	
9	MKY000737031	BRUSH PLATE W/HOLDER 3.25 ASSY	1	INCLUDES 6, 9, 10, 13
10	MKY000784036	BEARING RETAINER	1	
11	MKY000990067	WASHER STEEL THRUST	1	
12	MKY000990070	WASHER NYLATRON [2.EA]	1	
13	MKY000991025	WASHER FELT	1	
14	MKY000975032	SPRING COMPRESSION [2.EA]	1	
15	MKY000303039	THRUST DISC METAL	1	
16	MKY002883460	SEAL O-RING KIT	1	
17	MKY002883460	SEAL O-RING KIT	1	
18	MKY002883460	SEAL O-RING KIT	1	
19	MKY000830001	SCREW SELFTHREAD 832X1.7 [2.EA]	1	
20	MKY000830078	HRU BOLT 832 X 8.96 [2. EA]	1	
21	MKY002400127	PLAIN END HOUSING ASSEMBLY	1	
22	MKY000144099	FLANGE BEARING (SERVICE ONLY)	1	
23	MKY002883460	SEAL O-RING KIT	1	
24	MKY002883460	SEAL O-RING KIT	1	
25	MKY002069041	MOTOR ASSEMBLY 12V 3.25 5SPC T	1	
26	MKY002032046	TUBE, COMPOSITE 36"	1	
27	MKY001378121	PROP KIT	1	INCLUDES 27, 28, 29
27	MKY002061121	PROPELLER 3.25 HUB DIA	1	
28	MKY002151726	WASHER 5/16 STD SS	1	
29	MKY002053101	NJTPROP NYLOC (MED)	1	
30	MKY002092600	PINDRIVE	1	

C2

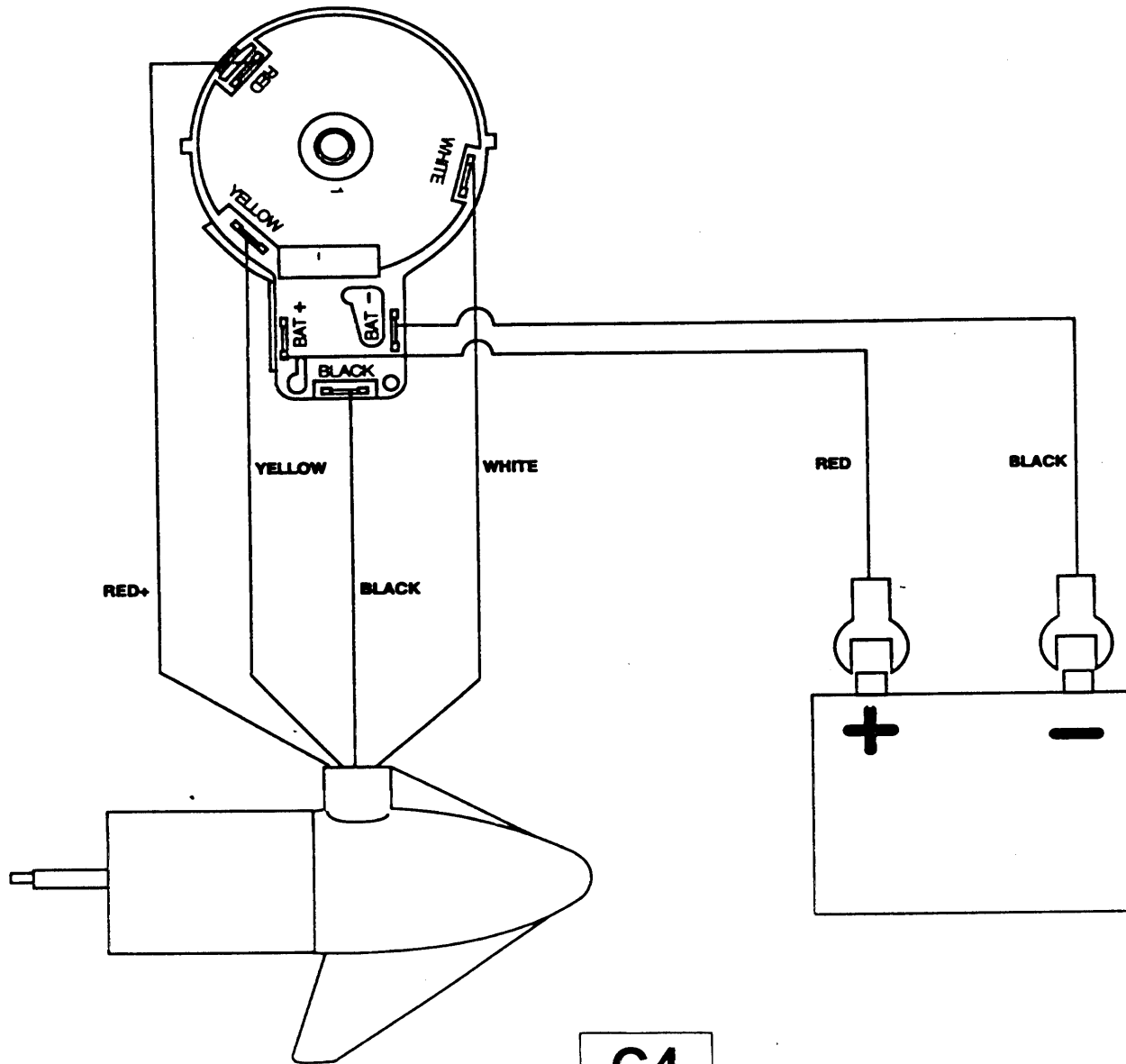
M18



C3

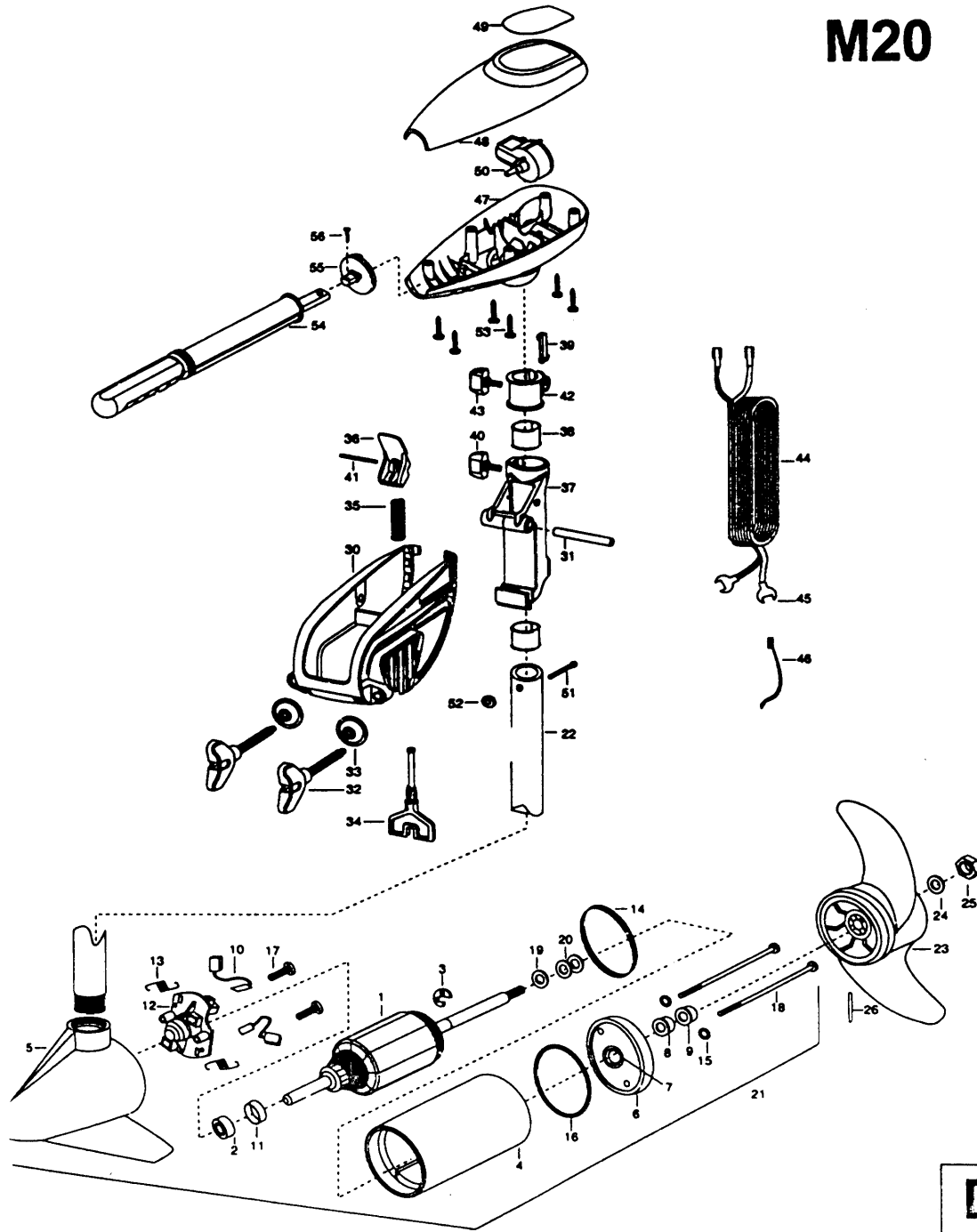
REF. NO.	PART NO.	DESCRIPTION	QTY	REMARKS
33	MKY002771818	BRACKET & HINGE ASSEMBLY	1	(INCLUDES 33—44)
34	MKY002060510	PIN HINGE ENDURA	1	
35	MKY002881300	SCREW CLAMP, WASHER, RETAINER	1	
37	MKY002063605	TBAR, PLASTIC ENDURA	1	
38	MKY002062706	SPRING (TBAR) ENDURA	1	
39	MKY002067201	LEVERTILT BLACK ENDURA	1	
40	MKY002061810	HINGE PLASTIC ENDURA	1	
41	MKY002037301	BUSHING HINGE [2.EA]	2	
42	MKY002062800	TENSION BLOCK SNAP IN	1	
43	MKY002011385	SCREW, TENSION/KNOB	1	
44	MKY002060515	PIN, TILT LEVER	1	
45	MKY002061520	COLLAR DEPTH	1	
46	MKY002011365	SCREW COLLAR/NEW KNOB	1	
47	MKY002050609	LEAD WIRE 10 GA SPADE TERM	1	
48	MKY002020702	SPADE TERMINAL 10GA [2.EA]	2	
49	MKY002256300	TIE WRAP	1	
50	MKY002062510	CONTROL BOX	1	
51	MKY002060214	CONTROL BOX COVER	1	
53	MKY002064023	SWITCH FWD/REV 5 SP	1	
54	MKY002033401	SCREW 1024 X 13/4 SHOULDER	1	
55	MKY002013110	NUT 1024 HEX NYLOC	1	
56	MKY002012100	SCREW 818 X 5/8 [6.EA]	6	
57	MKY002990901	HANDLE ASSEMBLY 5 SPEED	1	
58	MKY002060405	PIVOT, HANDLE	1	
59	MKY002012102	SCREW	1	

M18



C4

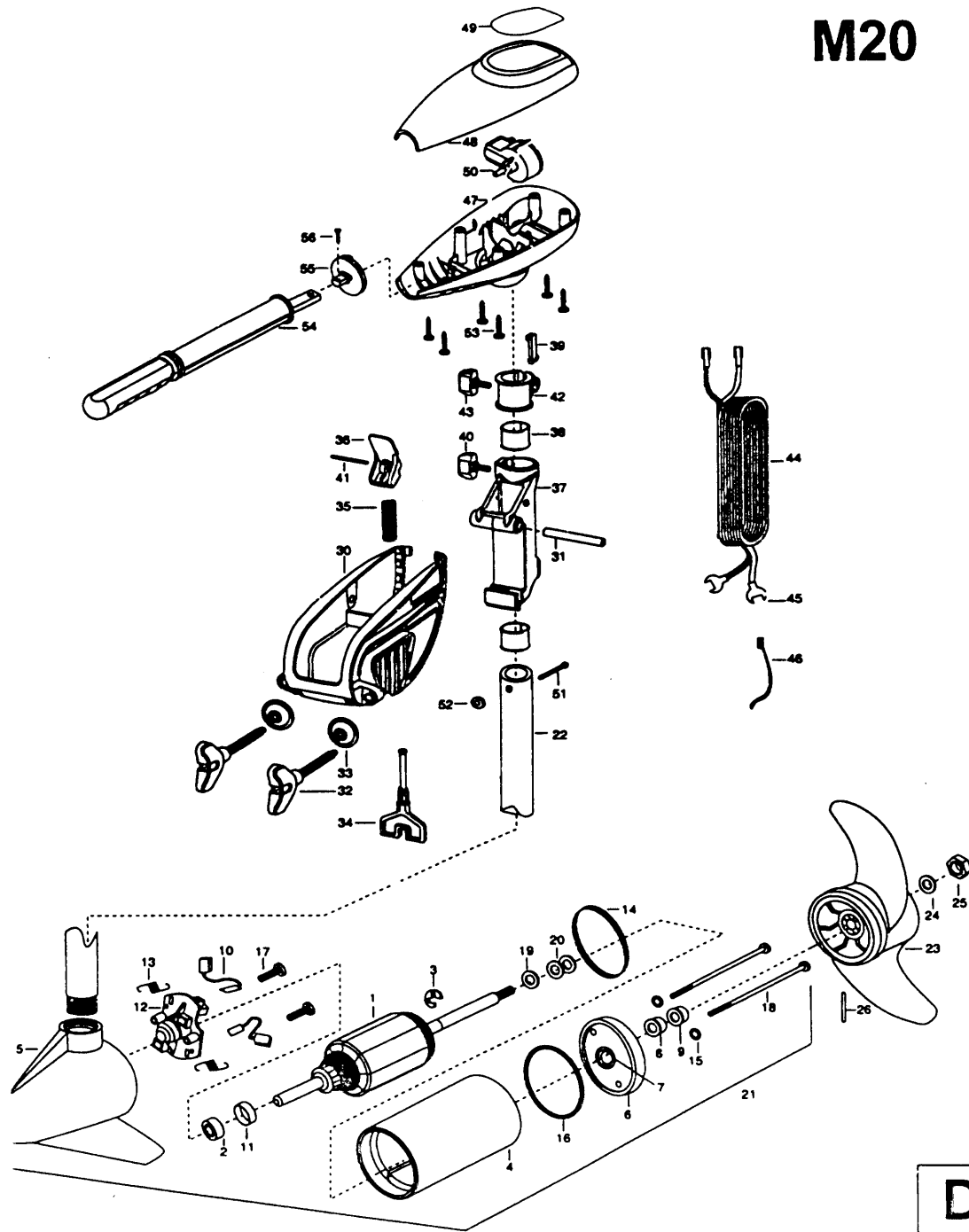
M20



REF. NO.	PART NO.	DESCRIPTION	QTY	REMARKS
1	MKY092100095	ARMATURE ASSEMBLY 12V 3.62 FW	1	
2	MKY000140010	BEARING BALL	1	
3	MKY000788015	RETAINING RING	1	
4	MKY002200101	CENTER HOUSING ASSEMBLY	1	
5	MKY002300196	BRUSH END HOUSING ASSEMBLY 3.6	1	UR
5	MKY002300195	BRUSH END HOUSING ASSEMBLY 3.6	1	UR
6	MKY002400101	PLAIN END HOUSING ASSEMBLY	1	
7	MKY000144049	BEARING FLANGE ,SERVICE ONLY	1	
8	MKY002888460	SEAL O-RING KIT	1	
9	MKY002888460	SEAL O-RING KIT	1	
10	MKY000188036	BRUSH ASSEMBLY [2.EA]	1	
11	MKY000725050	BRUSH RETENTION PAPER TUBE	1	
12	MKY000738036	BRUSH PLATE WITH HOLDER	1	
13	MKY000975040	SPRING TORSION [2.EA]	1	
14	MKY002888460	SEAL O-RING KIT	1	
15	MKY002888460	SEAL O-RING KIT	1	
16	MKY002888460	SEAL O-RING KIT	1	
17	MKY000830007	SCREW # 832 [2.EA]	1	
18	MKY000830042	HRU BOLT 1032X8.83 [2EA]	1	
19	MKY000990067	WASHER STEEL THRUST	1	
20	MKY000990070	WASHER NYLATRON [2.EA]	1	
21	MKY002099061	MOTOR ASSEMBLY 12V 3.62 FW 36"	1	UR
21	MKY002099062	MOTOR ASSEMBLY 12V 3.62 FW 42"	1	UR
22	MKY002032052	TUBE COMPOSITE 36"	1	UR
22	MKY002032053	TUBE COMPOSITE 42"	1	UR
23	MKY001378122	PROPELLER KIT	1	INCLUDES 23, 24, 25
23	MKY002091150	PROP W.WEDGE	1	
24	MKY002151726	WASHER 5/16 STD SS	1	
25	MKY002053101	NUT NYLOC 5/16	1	
26	MKY002092600	PINDRIVE	1	

D2

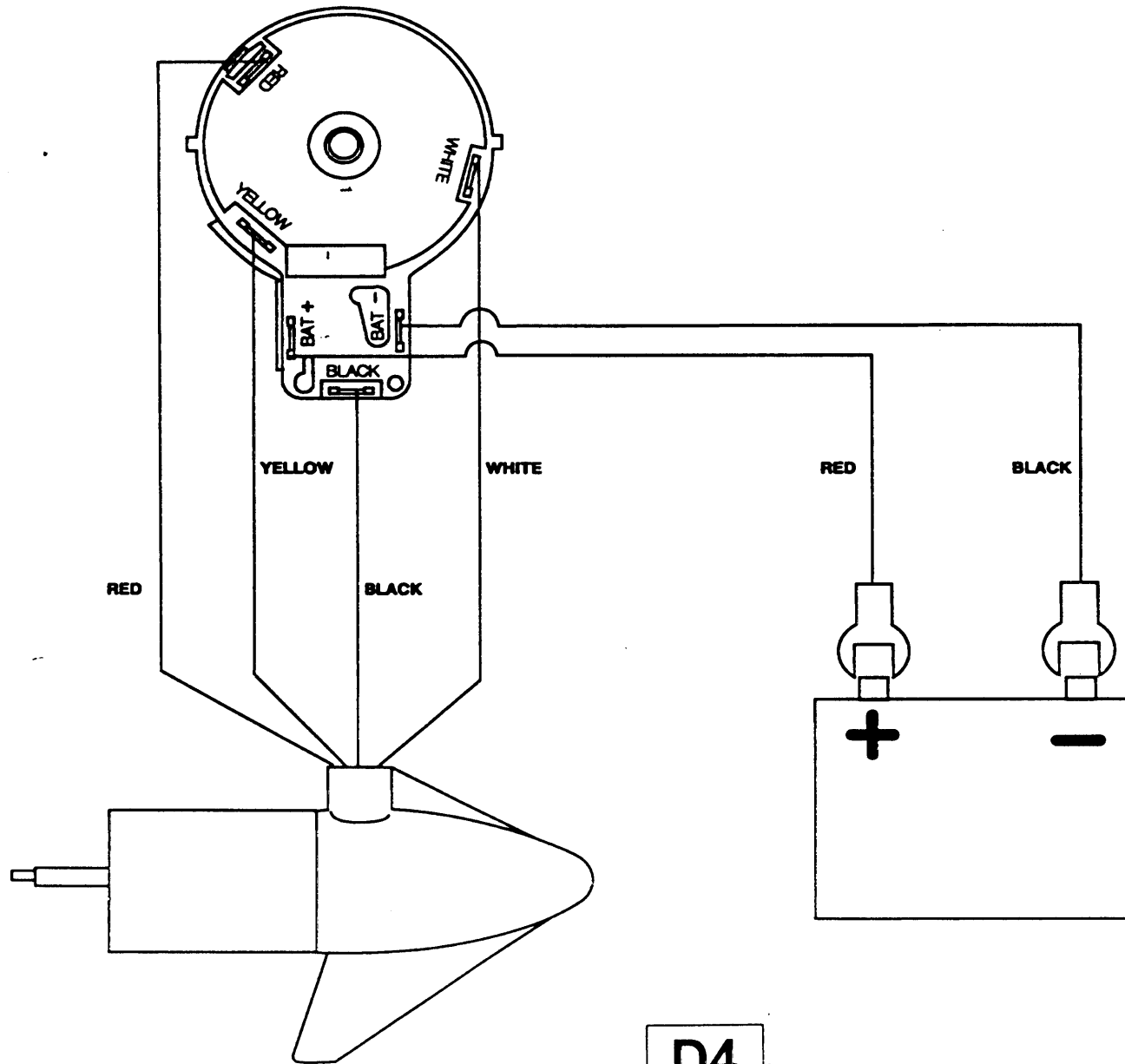
M20



REF. NO.	PART NO.	DESCRIPTION	QTY	REMARKS
30	MKY002771818	BRACKET & HINGE ASSEMBLY	1	INCLUDES 30-41
30	MKY002771910	BRACKET ASSEMBLY	1	INCLUDES 30,32,33
31	MKY002060510	PINHINGE	1	
32	MKY002881300	SCREWCLAMP, WASHER, RETAINER	1	
34	MKY002063605	TBAR, PLASTIC	1	
35	MKY002062706	SPRING TBAR	1	
36	MKY002067201	LEVERTILT BLACK	1	
37	MKY002061810	HINGEPLASTIC	1	
38	MKY002037301	BUSHINGHINGE [2.EA]	2	
39	MKY002062800	TENSION BLOCKSNAP IN	1	
40	MKY002011385	SCREW, TENSION/KNOB	1	
41	MKY002060515	PIN, TILT LEVER	1	
42	MKY002061520	COLLARDEPTH	1	
43	MKY002011365	SCREWCOLLAR/NEW KNOB	1	
44	MKY002050609	LEADWIRE 10 GA SPADE TERM	1	
45	MKY002020702	SPADE TERMINAL 10GA. [2.EA]	2	
46	MKY002026300	TIE WRAP [2.EA]	1	
47	MKY002062510	CONTROL BOX	1	
48	MKY002060214	CONTROL BOX COVERENDURA	1	
50	MKY002064023	SWITCHFWD/REV 5 SP	1	
51	MKY002033400	SCREW1024 X 13/4	1	
52	MKY002013110	NUT1024 HEX	1	
53	MKY002012100	SCREW818 X 5/8 [6.EA]	6	
54	MKY002990901	HANDLE ASSEMBLY 5 SPEED	1	
55	MKY002060405	PIVOT, HANDLE	1	
56	MKY002012102	SCREW	1	

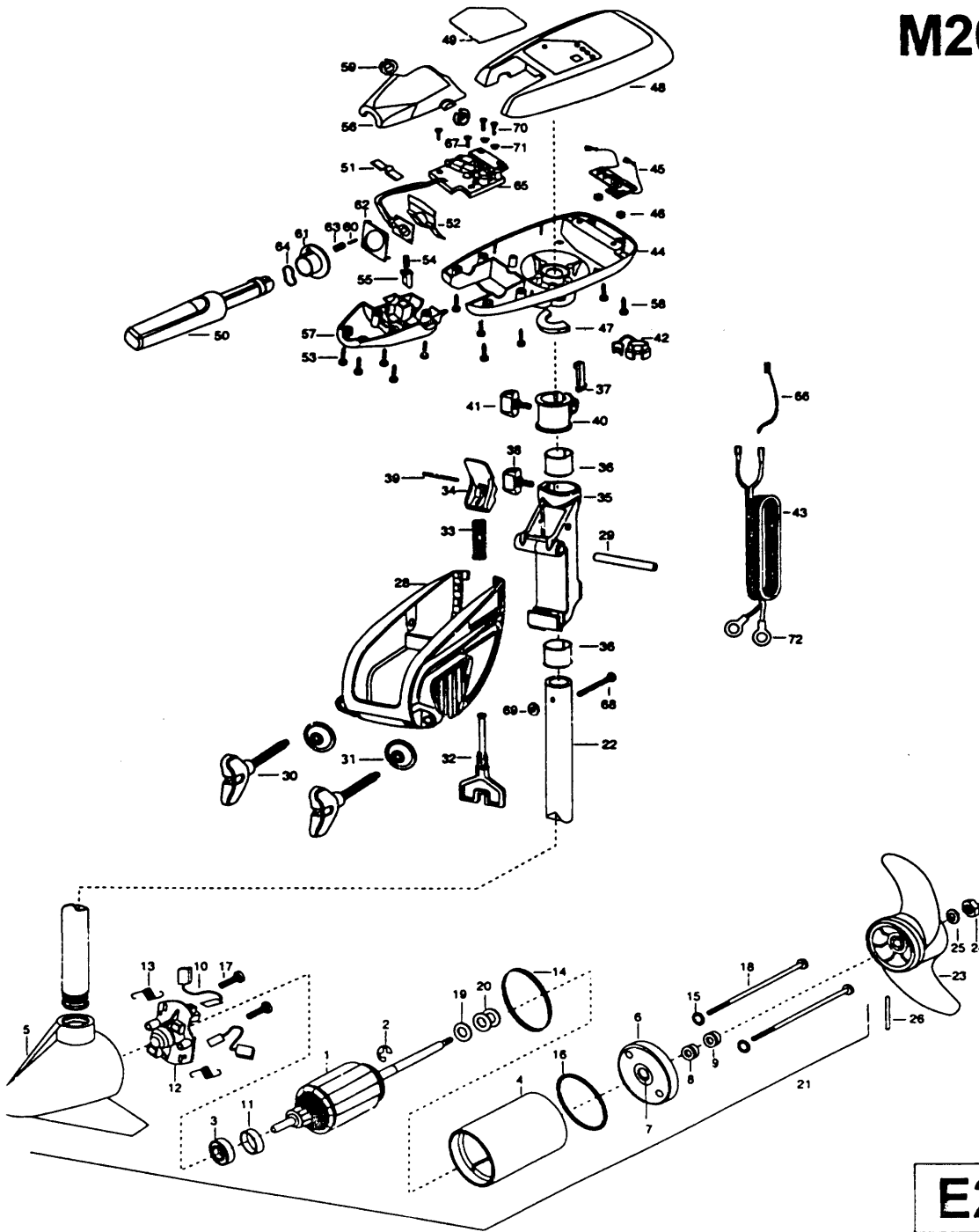
D3

M20



D4

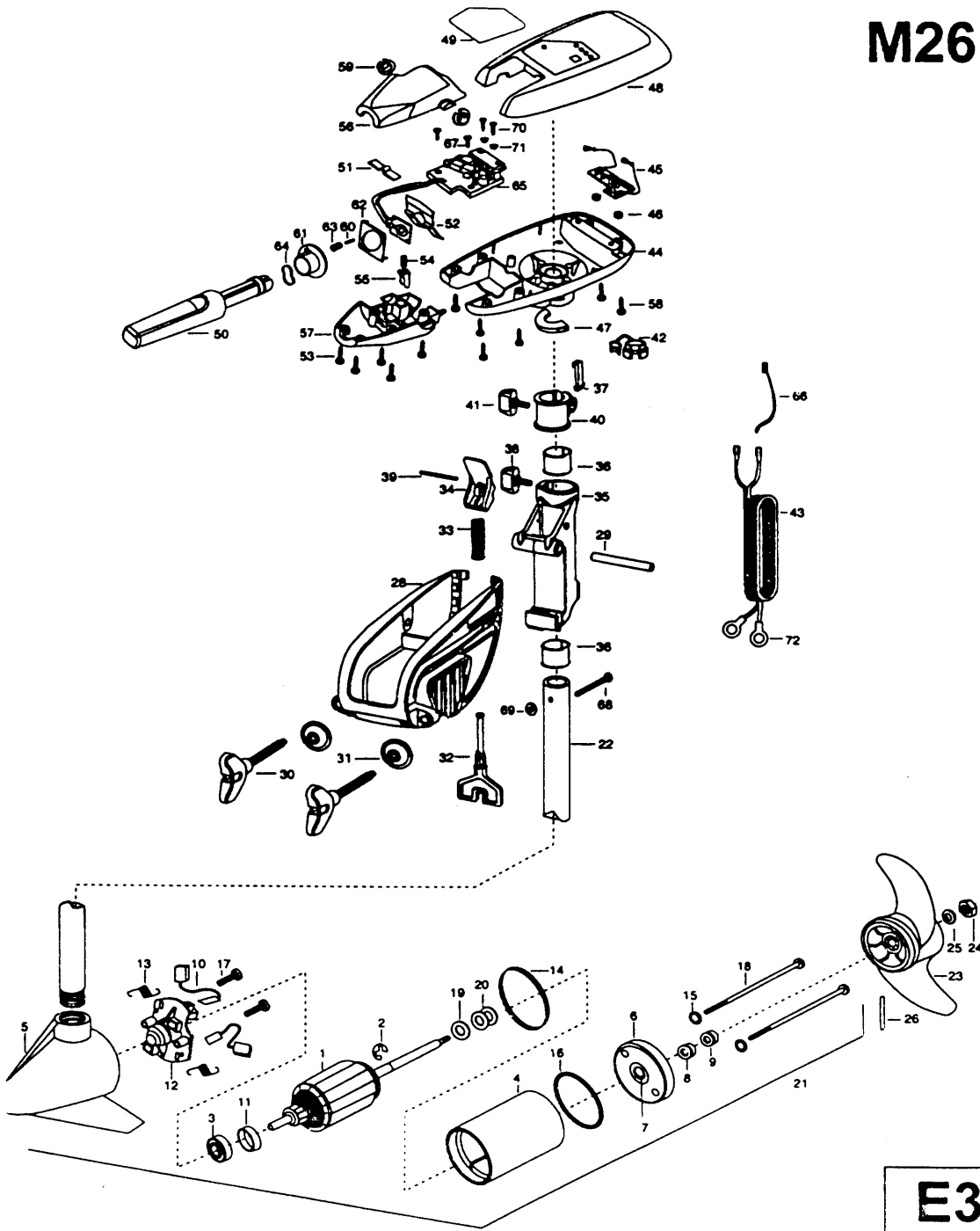
M26



REF. NO.	PART NO.	DESCRIPTION	QTY	REMARKS
1	MKY092100013	ARMATURE ASSEMBLY 12V FW	1	
2	MKY000788015	RETAINING RING	1	
3	MKY000140010	BEARING BALL	1	
4	MKY000431101	HOUSING ASSEMBLY CENTER 3.62	1	
5	MKY000421065	HOUSING BRUSH END ASSY 3.62	1	
6	MKY002400101	PLAIN END HOUSING ASSEMBLY	1	
7	MKY000144049	LANGE BEARING (SERVICE ONLY)	1	
8	MKY002888460	SEAL O-RING KIT	1	
9	MKY002888460	SEAL O-RING KIT	1	
10	MKY000188036	BRUSH ASSEMBLY	1	
11	MKY000725050	PAPER TUBE BRUSH RETENTION	1	
12	MKY000738036	BRUSH PLATE W/HOLDER	1	
13	MKY000975040	SPRING TORSION [2.EA]	1	
14	MKY002888460	SEAL O-RING KIT	1	
15	MKY002888460	SEAL O-RING KIT	1	
16	MKY002888460	SEAL O-RING KIT	1	
17	MKY000830007	SCREW 832X1 [2.EA]	1	
18	MKY000830042	HRU BOLT 1032X8.83 (2 EA)	1	
19	MKY000990067	WASHER STEEL THRUST	1	
20	MKY000990070	WASHER NYLATRON [2.EA]	1	
21	MKY002099094	MOTOR ASSEMBLY 12V 3.625 FW V	1	
22	MKY002032052	TUBE (COMPOSITE) 36"	1	UR
22	MKY002032053	TUBE (COMPOSITE) 42"	1	UR
23	MKY001378122	PROPELLER KIT	1	INCLUDES 23, 24, 25
23	MKY002091150	PROPELLER WEEDLESS WEDGE	1	
24	MKY002151726	WASHER 5/16 STD SS	1	
25	MKY002053101	NUTPROP NYLOC 5/16 SS	1	
26	MKY002092600	PINDRIVE SS	1	
28	MKY002771818	BRACKET & HINGE ASSEMBLY	1	INCLUDES 28-39
28	MKY002771911	BRACKET ASSEMBLY	1	INCLUDES 28,30,31
29	MKY002060510	PINHINGE	1	
30	MKY002881300	SCREWCLAMP, WASHER, RETAINER K	1	

E2

M26



REF. NO.	PART NO.	DESCRIPTION	QTY	REMARKS
32	MKY002063605	TBAR, PLASTIC	1	
33	MKY002062706	SPRING (TBAR)	1	
34	MKY002067200	LEVERTILT (RED)	1	
35	MKY002061810	HINGEPLASTIC	1	
36	MKY002037301	BUSHINGHINGE [2.EA]	1	
37	MKY002062800	TENSION BLOCKSNAP IN	1	
38	MKY002011385	SCREW, TENSION/KNOB	1	
39	MKY002060515	PIN, TILT LEVER	1	
40	MKY002061520	COLLARDEPTH	1	
41	MKY002011365	SCREWCOLLAR/NEW	1	
42	MKY002052900	STRAIN RELIEF C CORD/SP.C	1	
43	MKY002090600	LEADWIRE (10 GA) RINGS	1	
44	MKY002062585	CONTROL BOX,FW, .725 BORE,	1	
45	MKY002034035	BATTERY GAUGE12 VOLTS	1	
46	MKY002303120	SPEED NUT [2.EA]	1	
47	MKY002061512	COLLARCTRL BOX (FRSWTR)	1	
48	MKY002990294	CTRL BOX CVR/DECAL ASSEMBLY	1	
50	MKY002990914	HANDLE ASSEMBLY W/O UJOINT	1	
51	MKY002302742	SPRINGDETENT (OFF) SS	1	
52	MKY002302743	SPRINGDETENT (HANDLETILT	1	
53	MKY002303412	SCREW620 X 5/8 SELF TAP	1	
54	MKY002302745	SPRINGRELEASE BUTTON SS	1	
55	MKY002303720	RELEASE BUTTONHANDLE	1	
56	MKY002060409	HANDLE (TOP HALF) MAXIMIZE	1	
57	MKY002060415	HANDLE (LOWER HALF)	1	
58	MKY002303412	SCREW620 X 5/8 SELF TAP	1	
59	MKY002060005	BEARINGHANDLE PIVOT [2.EA]	2	
60	MKY002302600	PINACTUATOR	1	
61	MKY002302850	ACTUATORCAM	1	
62	MKY002302851	ACTUATORFWD/REV	1	
63	MKY002302740	SPRING (ACTUATOR)	1	
64	MKY002302741	SPRINGCAM (ZNC PLTD STEEL)	1	
65	MKY002334006	CONTROL BOARD W/O LEAD 12V	1	
66	MKY002256300	TIE WRAP5.5 BLACK	1	
67	MKY002372100	SCREW818 X 5/8 THD SS [2.EA]	1	
68	MKY002383407	SCREW1024 X 2 PPH ZINC	1	
69	MKY002383124	NUT1024 NYLOCK ZINC	1	
70	MKY002301310	SCREW818 X 1/2 SS [2.EA]	2	
71	MKY002301710	WASHERINSUL. (TRANSF.BAR) [2.E	2	
72	MKY002020700	TERMINAL RING 3/8 [2.EA]	1	

E3

M26

